



Via Marche, 1/3/5  
62010 Morrovalle (MC)  
Italia

**Tel/Fax:** +39 0733 866585

**E-mail:** info@vittorazi.com

**Skype:** vittorazi.motors

**Website:** www.vittorazi.com

# User Manual

*Last update, September 2018*



# **Index**

<b>1.0</b>	<b>Introduction .....</b>	<b>3</b>
<b>1.1</b>	<b>Data identification engine .....</b>	<b>4</b>
<b>2.0</b>	<b>Warning.....</b>	<b>5</b>
<b>3.0</b>	<b>Installation of engine components .....</b>	<b>6</b>
<b>4.0</b>	<b>Get ready for the use.....</b>	<b>7</b>
<b>4.1</b>	<b>Propeller choice and mounting.....</b>	<b>7</b>
<b>4.2</b>	<b>Fuel.....</b>	<b>9</b>
<b>4.3</b>	<b>Starting and turning off.....</b>	<b>10</b>
<b>4.4</b>	<b>Warm up .....</b>	<b>11</b>
<b>4.5</b>	<b>Carburetor adjustment.....</b>	<b>12</b>
<b>4.6</b>	<b>Break-in .....</b>	<b>14</b>
<b>4.7</b>	<b>First check-up .....</b>	<b>15</b>
<b>5.0</b>	<b>Specification and technical data .....</b>	<b>16</b>
<b>6.0</b>	<b>Maintenance .....</b>	<b>17</b>
<b>7.0</b>	<b>Chart of maintenance .....</b>	<b>18</b>
<b>8.0</b>	<b>Tightening torque and special tools.....</b>	<b>19</b>
<b>9.0</b>	<b>Spare parts.....</b>	<b>20</b>
<b>10.0</b>	<b>Frequent asked questions– FAQ.....</b>	<b>21</b>
<b>11.0</b>	<b>Warranty .....</b>	<b>24</b>
<b>11.1</b>	<b>Warranty registration.....</b>	<b>24</b>
<b>11.2</b>	<b>Warranty limits .....</b>	<b>24</b>
<b>11.3</b>	<b>Warranty coverage.....</b>	<b>25</b>
<b>11.4</b>	<b>Warranty coupon.....</b>	<b>27</b>
<b>12.0</b>	<b>Contacts.....</b>	<b>28</b>

## **1.0 Introduction**

Thanks for choosing a Vittorazi engine.

The user manual constitutes an integral part of the motor, it has to be preserved and combined to the motor in case it will be delivered to a new user.

Before installing of the motor, read this manual carefully.

The purpose of this manual is to provide the user with all the information he needs to manage the engine properly by himself and in the safest possible way.

It includes information about the technical aspect, operation, machine stop, maintenance, spare-parts and safety.

If just one parts of the manual is not completely understood or in case the manual is not clear or exhaustive, do not hesitate to contact either the authorized dealer or our factory for any problem or question you might have.

Please include in the claim the serial number XXXXXX of the motor (to locate the engine serial code, see it in the "data identification" chapter) some photos if you think it is necessary.

You find the direct contacts of the factory in the first and in the last page of this manual.

The Vittorazi reserves the right to change in any moment without warning, sketches, specifications, component, details of the motor, in relation to the model in production without incurring in any obligation.

When you receive the motor, it will already have overcome a test of 15 minutes in the factory, verifying the operation of all the components and the operation to every speed. All Vittorazi engines are tested before the delivery.

The reliability, the performances and the duration of your motor will also depend from your knowledge and the way you use it.

In this manual will be highlighted:

- in the red panel the situations that can lead you to a serious danger;
- in the blue panel, important suggestions or advice that must not be underestimated.



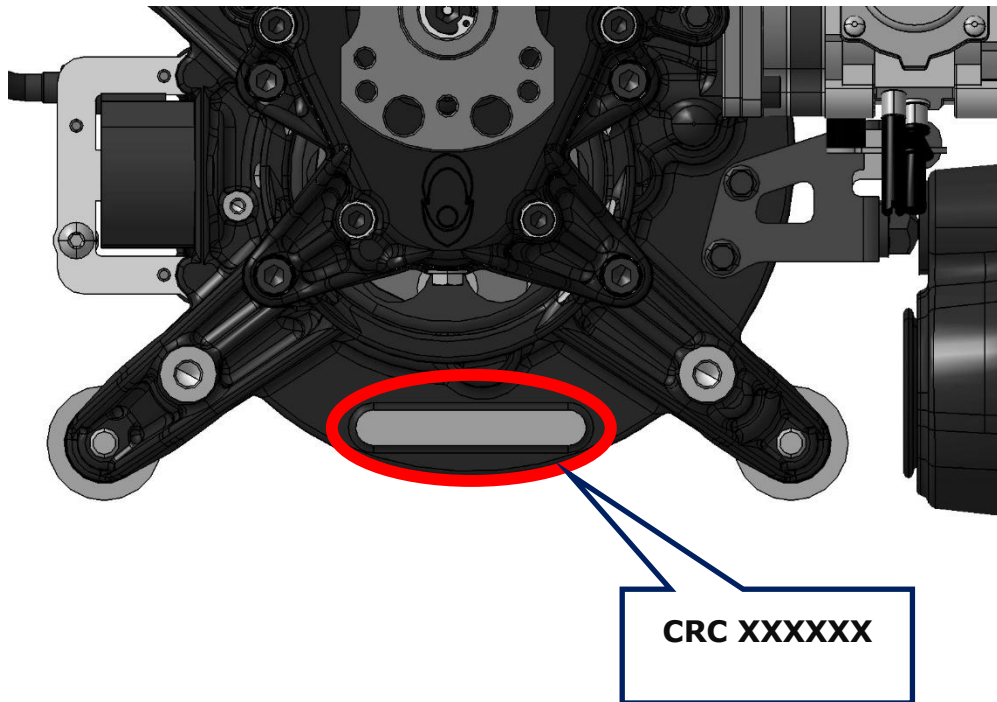
***Attention, danger, risk***



***Important advice, suggestion***

### **1.1 Data identification engine**

The serial code of your engine is located under the engine casing, behind the fixing plate of the silencer body.



## 2.0 Warning



- **Be aware that the motor can stop, have a breakup or to go off in any moment. This could lead a crash to the ground or a landing in hostile areas with possible damages/death of the pilot or other people. The ultralight moved by this motor must fly in permitted spaces, it must not fly above a crowd of people, inhabited centers, zones that have difficult or void landings, must not fly above zones of water or where it is possible to drown. Always have in mind that the motor can go off or breakup, therefore consider a possible landing of emergency for every situation.**
- **This manual describes the motor. For its installation, use and control, compare also the attached user manual of the ultralight: Paramotor, Mosquito or Trike. If used in other applications, cannot be guaranteed the correct operation.**
- **This motor is not certified. It is not a motor with guarantees or aeronautical certifications. Its construction is destined to experimental and not certified aircrafts.**
- **Some zones for particular atmospheric conditions as pressure, temperature, damp can bring to a different operation of your motor. Before beginning every flight, you test the motor on the ground and verify that it doesn't have an anomalous behavior.**
- **Start the engine in a plain surface, free from stones, sand or small parts that could be aspirated by the propeller. Be sure that the flow of air pushed by the propeller doesn't cause damage to anybody. Whenever the motor is running (testing on the ground, take-off, landing) watch out that nobody stands near to the propeller in rotation. A good safety distance is 50 meters for all directions of projection of the propeller and 20 meters for the others directions.**
- **Do not use the motor that has not followed a correct maintenance or has not correctly been used in the time or if you know that is not under perfect conditions.**
- **The use of non original spare-part and not recognized by Vittorazi, can make the motor dangerous and immediately hands term to the validity of the warranty. Vittorazi doesn't assume any warranty for that motor that are used with non original parts or not recognized, modified or that have had an improper use.**
- **Unauthorized changes to the motor, to the reduction, to the propellers can reduce safety and reliability of the aircraft. In case you have to intervene on the motor we invite you to compare this manual with the help of your dealer Vittorazi and follow it as reference.**
- **Before every use or test, check the conditions of the propeller and the tightening of bolts of the propeller. If the propeller has received a hit and is damaged, avoid using or turning on the motor. This can lead to an explosion of the propeller in rotation or to strong vibrations that will revert in the motor with possible consequent breakups, loss of tightening of the bolts or strong usuries of components.**
- **Never use the motor without propeller or without reduction drive group. This motor has been projected for a determined and contained number of turns. Without propeller or reduction drive, the motor reaches a number of turns for which it has not been calculated. In a few second there is risk of explosion of the motor.**

### ***3.0 Installation of engine components***

This chapter is reserved to the manufacture, dealer or center assistance Vittorazi. If you are our collaborator, we invite you to write to our e-mail address and ask for the integral version of the manual.

## 4.0 Get ready for the use

### 4.1 Propeller choice and mounting

Make sure you have a suitable and guaranteed propeller by Vittorazi for your motor.



*The use of the propeller Vittorazi guarantees to our motors a perfect operation in every condition of flight. Thanks to the continuous studies, on the test-bench it and to the experiences in flight, we are able to realize propeller able to assure:*

- *absence of vibrations and stability during the time;*
- *best performance of the motor and improve fuel consumption;*
- *reduced noise emissions in relationship to the propeller diameter and to the reduction;*
- *best cooling of the components.*

*Every single motor produced by Vittorazi is tested with its own propeller before the delivery. In case of use of a propeller not recognized by Vittorazi, anomalies of operation not related to the motor may occur, for instance:*

- *components break-ups caused by vibration;*
- *overheating of the thermal group;*
- *excessive noisiness;*
- *excessive fuel consumptions or insufficient thrust;*
- *non-constant power output.*

*The use of a not conform propeller with consequent anomalies already listed above or the use of a right propeller Vittorazi but combined to a wrong reduction ratio, or the use of accessories or components which are not authorized for this engine, immediately voids of the warranty (see chapter "Warranty coverage")*

Attention: the propeller can be mounted in two opposite positions compared with the reduction drive. Ask the authorized dealer or the instructor, if you are not sure about the propeller assembling.

In version of model Atom 80, the propeller rotation is clockwise, considering the back view (as per picture 4.1). Push the propeller against the reduction drive, until it is completely inserted. Now gently screw the bolts up to the end. Be sure that the bolts are suitable to the propeller in use, therefore the thread of the bolts is inserted for at least 12mm (for carbon propellers) and 15mm (for wooden propellers) in the hub. Now tighten the bolts of the propeller, trying to apply the same pressure on all points, (picture 4.1). Do not exceed with the pressure on the bolts; you a risk to crush the propeller.



*Maximum pressure to apply:*

- *Carbon propeller: 10-12 N/m on every M6 bolt;*
- *Wooden propeller: 6-7 N/m on every M6 bolt (in accordance with the specifications provided by the propeller manufacturer, based on the type of wood adopted).*

Wooden propeller: once tightened the propeller, it is good to check that the pitch of the two blades is identical. If there is a variation between the two blades, this difference can be compensated through the pressure of the bolts.

If you don't know this method of alignment, ask to an authorized dealer or instructor.

Check the tightening of the propeller before every flight.

In case of a damaged propeller, we invite you to purchase from a Vittorazi dealer, the same propeller for measure and profile, guaranteed from the factory.

You just have to remember the size, material of the propeller and model of the motor

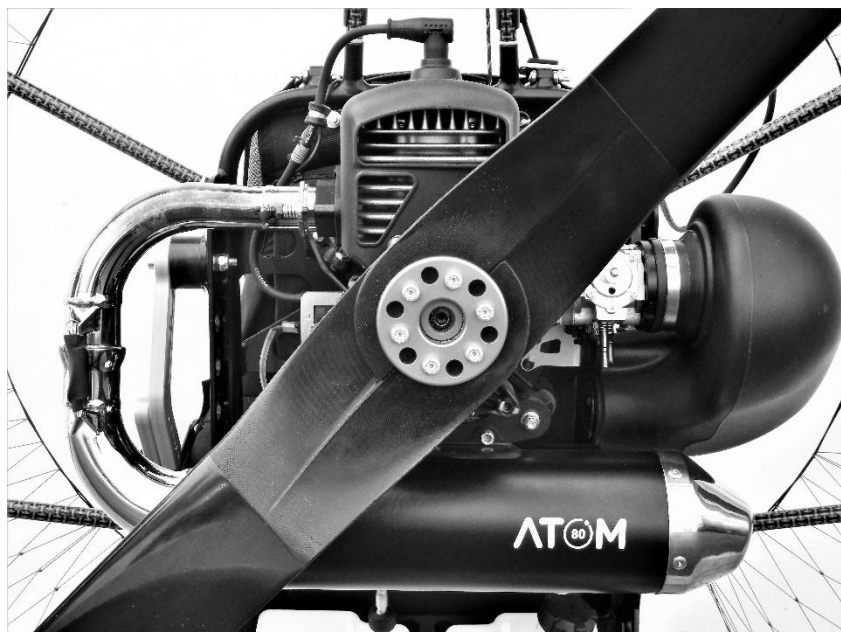


*In the case of propeller impact, it is necessary to verify that all the engine parts have not suffered any damage, paying particular attention to the components listed below:*

- *Structural components: propeller hub; reduction bearings; structural reduction carter and engine carter case; engine rubber mounts; main propeller shaft gears.*
- *Silencer unit.*

*We suggest you to replace every bolt of the propeller.*

#### **4.1 / propeller screw tightening**





## 4.2 Fuel

The motor that you are going to use is a two strokes engine. It requires an established percentage of oil/gasoline for the lubrication. The percentages will be pointed out in the following chapter "break-in".



*Gasoline is an extremely flammable and explosive substance. When you prepare or in every moment you are close to the fuel (gasoline and oil), do not smoke, do not ignite sparks or flames. Never fill the tank of your aircraft when the motor is running. Take the fuel tank, at least 10 meters away from the engine, before to start it.*

During the operation of decanting, mixing, filling, choose an open place, ventilated, clean and away from dusts, sand, grass and everythings that can obstruct the passage of the gasoline. If possible, while filling the tank of the aircraft, filter the mixture. Be sure that the tank used for the transport of the gasoline, filter and funnel, are perfectly clean.



*When at the gas pump, always choose unleaded gasoline 95 octanes. We suggest to use only oil of good quality certified and full synthetic (no semi-synthetic oil, no mineral oil). We recommend the use of the following types of oil, already tested with success on our motors: **Motul 800**.*

Avoid mixtures prepared by the gas pump. A mixture that has been prepared from 2-4 weeks and left in a tank, could separate the oil from the gasoline, losing the characteristics of lubrication even if shaken before the use. Avoid to prepare big quantities of mixture, when you are already conscious to use only a part of it. Avoid using plastic tanks and consider it only as a container to transport the mixture. Do not let the mixture deposit for days in the plastic tanks. We dissuade the addition of liquids that increase the number of octanes.

Problems occurred to the motor due to a lack of oil in the gasoline, or due to a wrong percentage of oil in the mixture, or for lack of cleanliness of the gasoline, immediately void the warranty. (See chapter "Warranty coverage").

### **4.3 Starting and turning off**

In the first start-up of the engine and every time the gasoline line (tank, pipe, primer bulb and carburetor) remains without fuel, you will need to fill the circuit before starting the motor. To do that, it is necessary to make pressure on the primer bulb of the gasoline and at the same time, with care, on the valve of the carburetor up to the filling of the pipeline. It will be easy to see the gasoline that enters into the carburetor through a transparent pipeline. For a good starting of the engine, when the circuit is empty or the motor is cold, you need to enter just a small quantity of gasoline in the carburetor (for about ½ second). This small quantity of gasoline, will work as starter/choke to the motor. Attention: if the quantity of gasoline that you push with the pump into the carburetor, is excessive, there is the risks to flood the motor, and eventually the damage of the pull starter. The best starting of the Vittorazi motor is gotten without throttle or with a minimum of throttle opening. If the circuit of fuel is under pressure and the motor is warm, it won't be necessary to make pressure on the primer bulb and valve.



*During the start-up phase, always pay maximum attention to the propeller and to those who could be nearby. Many accidents happen before to fly. On every test or warm-up, we suggest to always wear the paramotor on your shoulder, to fasten the harness, take a look around, then to turn on the engine with the pull (or electric) starter, always ready, however, to push the shutdown button, in order to stop the motor in every moment.*

*Important: often verify that the shutdown button is working. Sometimes it may get jammed or can stop working by the time.*

#### **4.4 Warm up**

Gently get throttle in the first 30 seconds allowing to stabilize the carburetor and the motor. Now you increase the number of RPM (up to approximately 1/4 of throttle) and let motor warm-up for 2-3 minutes at this constant speed. Finally get the motor for some second (15-20) at full throttle. Now your motor is ready to the flight.

If you install a temperature sensor CHT: during the warm-up above described, the motor has to reach or overcome a temperature of 80°C.

These 3 minutes of warm-up also have to be dedicated, thanks to your attention, to understand if the motor has some anomalous behavior, if there are unexpected vibrations or undesired noises.

## 4.5 Carburetor adjustment

A simple and fast control. You don't have any experience or affinity with the motors?

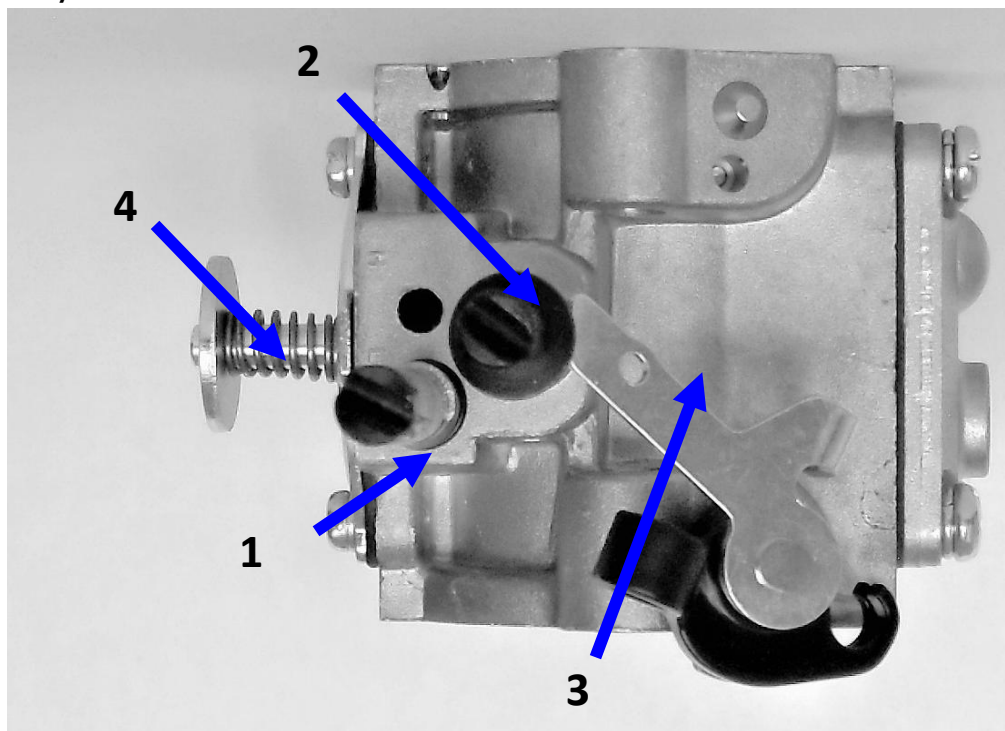
Don't worry, follow step by step what we tell you in this chapter.

For years, our ambition has been to supply a simple product and accessible to everyone, trying to get simple and effective solutions for those who doesn't have experience of motor's adjustments. When you receive the motor, it has already been tested for 15 minutes in the factory's test-bench, verifying the operation, the assembling and the optimal carburetor setting. In chart 4.5 are shown the regulations L and idle of the motor in the standard positions. These regulations guarantee a perfect stability of the motor, the operating temperature and the correct lubrication to every organs of the motor.

**Chart 4.5**

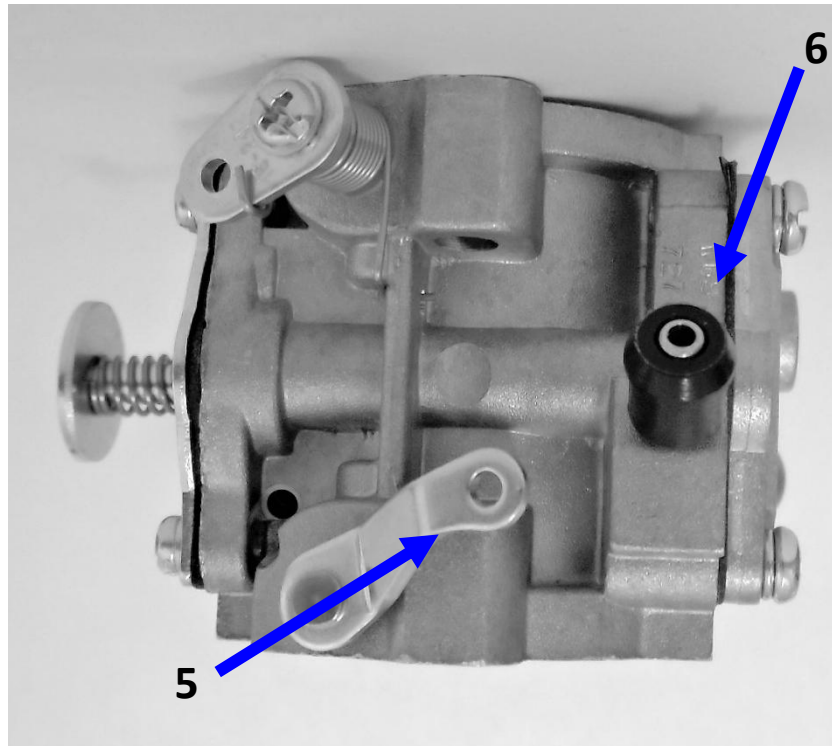
<b>STANDARD SETTING</b>	<b>ATOM 80</b>
<b>Screw L</b>	From 1+1/2 to 1+ 3/4 turn
<b>Idle</b>	2.000 Rpm

4.5 / carburetor



1. Screw L or Low jet
2. Screw for the open butterfly control
3. Butterfly lever
4. Valve for the carburetor prime

#### 4.6 / carburetor



5. Valve for choke system

6. Fuel intake

Whenever you choose to verify the carburetor settings, proceed in this way: completely close the screw L and then open them exactly with the standard setting, as described on chart 4.5. Remember: a strong pressure (tightening) on these screws can irremediably damage the carburetor.

Following these guidelines, you can perform a simple check of the carburation, but only once the engine has been safely alight and heated for few minutes (see paragraph "starting and turning off")

- The motor has to maintain a constant idle and must not to have the tendency to go off or to flood.
- When you pull the throttle fastly from the idle rpm, the motor immediately has to react without going off or suffering lacks of power.
- Simulating a cruise flight (about 1/4 or 1/3 of throttle), the motor have to react with a regular thrust, always smooth, giving the possibility to control each engine speed.
- At full throttle, the thrust has to be constant and the max speed have to be stable between 9.600-9.800 RPM.

## 4.6 Break-in

A phase of break-in executed with care, improves the duration and the performances of the motor. The motor must be used with care in the first 5 hours of the break-in (15-20 liters). The first start-up of the motor must be made on the ground (on shoulder), warming up the motor for few minutes and paying attention to anomalous behaviors or noises. We recommend to perform the first phase of the break-in during the same day. Now follow the indications of the chart 4.6 and 4.6.1.

**Chart 4.6**

<b><i>BREAK – IN</i></b>	<b><i>ATOM 80</i></b>
<b>From 1<sup>st</sup> to 15<sup>th</sup> liter</b>	Oil 2% or 50:1
<b>After the 15<sup>th</sup> liter</b>	Oil 1.5% or 66:1

**Chart 4.6.1**

First phase of break-in	<p>The first phase of the break-in have to be done on the ground, will last around 2 hours: cycles of operation of 15 minutes and following breaks of about 15 minutes, in which allow the engine to cool down.</p> <p>It's necessary an RPM tachometer and a chronometer. Follow the indications to perform the first sequence:</p> <ul style="list-style-type: none"> <li>• 6000 rpm -&gt; 4 min, then to idle 1 min</li> <li>• 7000 rpm -&gt; 3 min, then to idle 1 min</li> <li>• 8000 rpm -&gt; 2 min, then to idle 1 min</li> <li>• 9000 rpm -&gt; 1 min, then stop the motor and leave it cool for 15 minutes.</li> </ul> <p>Repeat the same series described above, for 4 times. At the end of the last series, stop the motor and check the spark-plug.</p>
Second phase of break-in	<p>Make flights or tests on the ground for a maximum of 30 minutes up to complete 15 liters (about 5h of operation). Don't use the motor at the same speed for long time, a gradual acceleration and deceleration is preferable. General check for bolts and components are listed in the following paragraph "First check-up".</p>
Regular use	<p>At the end of the second step, reduce the percentage of oil to 1.5%. Repeat the following controls up to 10hrs of use.</p>

## 4.7 First check-up



*Here below the list of check-ups that must be done during the first 10 operating hours.*

*It won't be necessary to repeat these controls after the 10hrs.*

- *check the colour of the spark-plug at the end of the first phase of the break-in;*
- *the idle stability, between 1800-2000 rpm;*
- *tightening of all the screws, bolts and nuts;*
- *verification of anomalous leakage of oil, grease or gasoline;*
- *verification of the integrity of the rubber-mounting;*

*Before every flight, verify the tightening of the propeller screws*

## 5.0 Specification and technical data

Chart 5.0

	<b>Atom 80</b>
<b>Cycle</b>	2 strokes
<b>Stroke</b>	44 mm.
<b>Displacement</b>	78.2 cc
<b>Bore</b>	Ø 47.6 mm.
<b>Thrust</b>	16 hp a 9500 RPM
<b>Cylinder</b>	Single cylinder in aluminium
<b>Piston</b>	Diamond profile, 1 ring chromed
<b>Intake</b>	Airbox silencer - Walbro WG8 carburetor with choke system; Reed valve intake
<b>Cooling system</b>	Forced air ventilation system with fan and conveyer
<b>Starter</b>	Pull starter
<b>Clutch</b>	Adjustable centrifugal
<b>Reduction</b>	Oil lubricated helicoidal gearings – 1/3.8
<b>Ignition coil</b>	Inductive IDI
<b>Spark plug</b>	NGK BR9ES
<b>Temp. EGT/CHT</b>	550° / 150°
<b>Max RPM</b>	9800 RPM
<b>Static thrust</b>	55 kg with 130 cm propeller at 9800 RPM 52 kg with 125cm propellers at 9800 RPM
<b>Exhaust pipe</b>	Hand-made with resonator and dB killer chamber
<b>Propeller rotation</b>	Clockwise
<b>Fuel</b>	Unleaded gasoline – Synthetic oil 1.5%
<b>Consumption</b>	2.7 liters/hour at 30 kg of static thrust, propeller 130cm, at 8000 rpm
<b>Weight</b>	10,5 kg



## **6.0 Maintenance**

This chapter is reserved to the manufacture, dealer or center assistance Vittorazi. If you are our collaborator, we invite you to write to our e-mail address and ask for the integral version of the manual.

## 7.0 Chart of maintenance

Chart 8.0

	<b>Before &amp; after use</b>	<b>Every 25 hours</b>	<b>Every 100 hours</b>
<i>Breakups, leak of oil, worn out parts</i>	<i>Checkup</i>		
<i>Screws and nuts</i>	<i>Checkup</i>		
<i>Sliding throttle</i>	<i>Checkup</i>		
<i>Killing off button</i>	<i>Checkup</i>		
<i>Engine idle</i>	<i>Checkup</i>		
<i>Rubber mountings</i>	<i>Checkup</i>		<i>To 100 hours or 1 year, replacement</i>
<i>Carburetion by the spark-plug colour</i>		<i>Checkup</i>	
<i>Carburetor</i>		<i>Checkup and cleaning</i>	
<i>Carburetor membranes</i>		<i>Checkup</i>	<i>To 100 hours or 1 year, replacement</i>
<i>Air-box</i>		<i>Checkup and cleaning</i>	
<i>Air-box manifold</i>			<i>To 100 hours or 1 year, replacement</i>
<i>Pull starter system</i>		<i>General checkup: rope, springs and hooks</i>	<i>Replace rope, springs, hooks or a new pull starter complete</i>
<i>Reed valve</i>		<i>Checkup</i>	<i>Substitution of the petals</i>
<i>Soundproofing material silencer</i>			<i>Checkup. After 200hrs replacement.</i>
<i>Spark-plug</i>		<i>Replacement</i>	
<i>Gaskets</i>			<i>Replacement</i>
<i>Piston rings</i>			<i>Replacement</i>
<i>Piston</i>			<i>Cleaning soot and measure. After 200hrs replacement.</i>
<i>Piston roller bearing</i>			<i>Replacement</i>
<i>O-ring head</i>			<i>Replacement</i>
<i>Head and cylinder</i>			<i>Cleaning soot from the head. Cylinder measure, cleaning exhaust port.</i>
<i>Oilseal carter case</i>			<i>Checkup. To 200 hrs replacement</i>
<i>Bearing crankshaft</i>			<i>To 200 hrs replacement</i>
<i>Crankshaft</i>			<i>To 200 hours measurement. Roller bearing replacement</i>
<i>Gearbox oil</i>		<i>First oil replacement 25h. Second at 50h</i>	<i>Replacement every 50h</i>
<i>Centrifugal clutch</i>			<i>Checkup. To 200 hrs measurement</i>

## **8.0 Tightening torque and special tools**

**Chart 9.0**

<b>Cylinder head nuts</b>	<b>10 Nm</b>
<b>Flywheel nuts</b>	<b>55 Nm</b>
<b>Crankcase screws</b>	<b>6.5 Nm</b>
<b>Reduction screws</b>	<b>10 Nm</b>
<b>Spark-plug</b>	<b>25 Nm</b>
<b>Cylinder studs</b>	<b>8 Nm</b>
<b>Exhaust studs</b>	<b>10 Nm</b>
<b>Carburetor flange screws</b>	<b>6 Nm</b>
<b>Carburetor connector screws</b>	<b>5.5 Nm</b>
<b>Carbon propeller screws</b>	<b>10 - 12 Nm</b>
<b>Wooden propeller screws</b>	<b>6 - 7 Nm</b>
<b>Screws or nuts of 4 mm</b>	<b>2.5 - 3 Nm</b>
<b>Screws or nuts of 5 mm</b>	<b>6 - 6.5 Nm</b>
<b>Screws or nuts of 6 mm</b>	<b>10 Nm</b>
<b>Screws or nuts of 8 mm</b>	<b>25 Nm</b>

**1 Kgm=9.81 Nm**

## **9.0 Spare parts**

Ask to a Vittorazi dealer for the spare-parts. If a dealer is not available in your area or country, you can contact the nearest Vittorazi dealer (or directly the factory). You can download the Vittorazi Motors spare parts list directly from our website. The manufacturer will ensure immediate availability of spare parts.

The use of non original parts and parts not recognized by Vittorazi, can make the motor dangerous and this immediately voids the warranty. Vittorazi doesn't accept any warranty for those motor used with non original parts, parts not recognized, modified motors or those who have been used improperly.

## 10.0 **Frequent asked questions– FAQ**

### ***The motor doesn't start and the spark-plug doesn't have sparks***

The spark-plug is worn out or defective	Replace it
The spark-plug is wet from gasoline	Disassemble the spark-plug and the carburetor. Turn the motor with the starting by hand. Dry the spark-plug.
The spark-plug has soot in the electrode	Clean it with an iron brush or replace it.
The spark-plug cap is not properly installed with the cable	Checkup or replace the cap.
The shutdown button is linked to earth	Check operation of the button, the cables, wirings.
The electric system	Make sure that there are no cables or wiring worn out or open. Check the correct installation.
The ignition coil has a problem	Replace it

### ***The motor doesn't start and the spark-plug have sparks***

Wrong carburetion	Restore the standard carburetion
The motor has received too much gasoline for a wrong procedure of starting	Disassemble the spark-plug and the carburetor. Let the motor turn manually with the help the starter. Dry the spark-plug.
The motor has received too much gasoline for a wrong carburetion. The spark-plug is wet.	As said above. Restore the standard carburetion.
The reed valve is worn out	Replace the petals
Aspiration of air from the junctions	Control and replace, where necessary, the gaskets, o-ring or oilseals.
Aspiration or exhaust pipe clogged	Check the conduit of the airbox, exhaust pipe and silencer.
Carburetor problem	Disassemble and inspect

***The motor starts well but the power is irregular or low***

The propeller adopted is not certified from Vittorazi	Replacement
The spark-plug is worn out or defective	Replacement
The spark-plug has soot in the electrode	Clean it with an iron brush or replace it.
The the spark-plug cap is not well installed with the cable	Checkup or replace the cap
The electric system	Make sure that there are no cables or wiring worn out or open. Check the correct installation.
The ignition coil has a problem	Replace it
Wrong carburetion	Restore the standard carburetion
The reed valve is worn out	Replace the petals
Aspiration of air from the junctions	Check and replace, where necessary, the gaskets, o-ring or oilseals.
Intake or exhaust pipe clogged	Check the conduit of the airbox, exhaust pipe and silencer.
The gasoline in the tank is aged, there is water or other liquids, it is dirty	Empty the tank and replace the fuel
The gasoline in the tank has a wrong percentage of oil	Empty the tank and replace the fuel
Aspiration of air from the circuit tank-bulb-filter-carburetor	Check the junctions or replace the aged pipeline or bulb
Dirty gasoline filter	Replacement
Carburetor membranes worn out	Replacement
Too much soot in the head	Clean it
Problem to the cylinder or piston	Replacement
Splipping of the clutch	Replace it

***Overheating***

The propeller adopted is not certified from Vittorazi	Replacement
The gasoline in the tank has a wrong percentage of oil	Empty the tank and replace the fuel
Wrong carburetion	Restore the standard carburetion
Aspiration of air from the junctions	Check and replace, where necessary, the gaskets, o-ring or oilseals.
Air conveyer present cracks or damage	Replacement

***Vibrations***

Propeller breakup	Small cracks: reparation allowed only for experienced person. Otherwise replacement.
Components' breakup (es. muffler, bearings, bracket)	Check the motor. Don't use the motor until the problem has been identified and resolved.
Rubber mounting breakup	Replacement

### **Noisiness**

Propeller breakup	Small cracks: reparation allowed only for experienced person. Otherwise replacement.
Components' breakup (es. muffler, bearings, bracket)	Check the motor. Don't use the motor until the problem has been identified and resolved.
Soundproofing material worn out	Replacement
Gasket connection exhaust/silencer	Replacement
Gears from box reduction	Disassemble and inspect

### **Sudden turning off**

Aspiration of air from the circuit tank-bulb-filter-carburetor	Check the junctions or replace the aged pipeline or bulb
The spark-plug is worn out or defective	Replacement
The spark-plug has soot in the electrode	Clean it with an iron brush or replace it.
The cap of the spark-plug is not well installed with the cable	Checkup or replace the cap.
The electric system	Make sure that there are no cables or wiring worn out or open. Check the correct installation.
The ignition coil has a problem	Replacement
Overheating	See section above: overheating
Carburetor problem	Disassemble and inspect

### **Strong smokiness from the silencer**

The gasoline in the tank has a wrong percentage of oil	Empty the tank and replace the fuel
Wrong carburetion	Restore the standard carburetion
Soundproofing material worn out	Replacement

### **Leaking of oil**

Connection cylinder to exhaust pipe	Replace the two o-rings
Connection exhaust pipe to silencer	Replace gasket
Exhaust spherical joint	Line-up the parts or replacement springs
Silencer	Clean the silencer with thinner, replace the soundproofing, add sealing paste on the junctions
Crankcase, oilseals, o-rings or gaskets	Disassemble, clean the plains, replace the worn out components, add sealing paste, where necessary.
Crankcase of the reduction, gasket, seal	Disassemble crankcase of the reduction, clean of the plains. Replacement of the gaskets and seals

## **11.0 Warranty**

### **11.1 Warranty registration**

It is important that the dealer/manufacturer fill in the "warranty coupon" (can be found in the following paragraph) and sends it to Vittorazi Motors responsible for the warranty, within 60 days from the motor sale/shipping date.

The "warranty coupon" is needed to identify name and address of the motor owner, as well as model and serial number of the product, date of purchase, name and address of the dealer.

The dealer/manufacturer has to give a copy of the "warranty coupon" to the client, immediately after after compiling it. For the factory, this coupon represents the only form of identification of the product and therefore you will have to preserve it for possible future use.

If the product needs interventions of maintenance covered by the warranty, the dealer could ask you to show the copy of the "warranty coupon" to verify the date of purchase.

The client has to verify that the dealer/manufacturer immediately fills in the "warranty coupon" and send a copy to the manufacturer.

### **11.2 Warranty limits**

We guarantee that every new engine Vittorazi, will be free from defects of materials and workmanship, provided that client purchases the product from dealer/manufacturer that is authorized from Vittorazi to sell our products.

To guarantee the best engine's safety and reliability, every motor delivered, is previously submitted to a verification test and a simulation of flight, made on the test-bench for about 15 minutes.

This warranty remains in force for a period of 1 (one) year from the date of purchase.

Any warranty claim must be requested to the authorized dealer. It will be then responsibility of such service center to plan the inspection and the reparation of the product, as long as the motor is covered by the warranty.

If the client has to send the engine, or one or more components have to be inspected or repaired, all the shipping costs (and eventual custom duties) will be borne by the client who is also required to make an advance payment.

The owner also has to show the copy of the "proof of purchase" such as the bill or commercial invoice, together with the "warranty coupon".

If one of the abovementioned documents went lost, the customer is required to provide at least one of them.

Accordingly to the present warranty, the obligations of the factory, will be limited to the reparation of the defective component and/or to the replacement of one or more components, or what will be necessary to restore the engine's full functionality.

The present warranty doesn't cover reparations, replacement of components or provision of services after the warranty's expiring date.



### **11.3 Warranty coverage**

The purpose of this chapter is to avoid some of the most frequent misunderstandings, concerning warranty coverage.

We remind you that: no responsibility can be attributed to the manufacturer or to the dealer of the motor for every problem or damage caused to people/things/animals during the whole life of the motor. We also remind you that this product is not certified, it is dedicated to experimental aircrafts and that in any moment it can break down or stop working.

For any adversities caused by the motor, the manufacturer or distributor is not responsible of such action, then the direct or indirect damages caused to people/things/animals will not be indemnified.

Some types of services which are not covered by the warranty are hereby described. For any question about the warranty coverage, contact the authorized dealer or directly the factory, that can provide further information.

All the parts replaced, both defective or non-compliant, during the interventions of warranty, will become property of Vittorazi Motors.

This warranty covers the damages of the motor caused by: components which are defective for shape or material, for project not conforming to the indicated use, not correctly assembled from the factory.

All shipping charges due to warranty claims for engines, or engine parts, will be borne by the customer.

The damages caused by the following reasons are not covered by the warranty:

- normal wear of parts;
- use non original spare parts;
- neglect, lack of maintenance, accidents, abnormal operation, improper installation or maintenance, other causes that can influence the performances of the motor;
- improper use or mistreatment of the motor;
- wrong regulations or setting, omission of generic controls, missed cleaning of the carburetor, gasoline filter, tank and of the fuel system;
- use of accessories or component not approved for this motor;
- alteration or removal of the components;
- a reparation effected by a non competent mechanic or by a Vittorazi non-authorized center of assistance;
- failure to perform at regular time intervals, of the maintenance procedures, as specified in this manual (see chapter "chart of maintenance");
- not exhaustive or wrong installation of the motor on any aircraft;
- modifications to the motor which are not authorized by Vittorazi Motors;
- further maintenance interventions, required by the client besides those covered by the warranty

It is excluded by the warranty the seizure piston-cylinder or the breakup of the piston (and possible consequential damages such as cylinder, head, crankshaft, bearings) because referable to the following cases here below listed:

- regardless of the first checks (see chapter "first check-up");
- use of gasoline without lubricating or wrong percentage of mix gasoline/oil;
- operation with fuels, liquids, lubricatings which cannot be used with this product;
- non conforming gasoline (presence of water, additives, impurities) or preserved for long time;
- lack of oil in the gearbox reduction or use not authorized oil from Vittorazi;
- lack of maintenance or bad cleaning of the carburetor;
- wrong carburetion, therefore ignoring the indications of the manual;

- suction of any extraneous parts including sand or dusts;
- use of a propeller not approved by the Vittorazi for the use on this motor;
- use of a damaged propeller or a not balanced propeller;
- use of the motor with a wrong combination propeller/reduction ratio;
- other causes already mentioned in the previous list

The following damages, are not covered by warranty or compensation:

- to people/things/animals caused by the generic use of the motor;
- to people/things/animals caused by a collision with the propeller or by any part detached by the motor;
- to the cage, components of the aircraft and/or to the propeller caused by the collision with any part detached from the motor;
- costs for recovery, shipments, phone or rental charges of any type, drawbacks or waste of time or other indirect damages.

## 11.4 Warranty coupon

The warranty coupon must be sent from the dealer to the factory within 60 days by fax, e-mail or ordinary mail. The client must receive one copy of the warranty coupon and attach one "bill/invoice of purchase".



### Warranty coupon

Client name and last name \_\_\_\_\_

Client address \_\_\_\_\_

\_\_\_\_\_

\_\_\_\_\_

Client e-mail and phone \_\_\_\_\_

Engine model \_\_\_\_\_

Engine serial number \_\_\_\_\_

Date of purchase \_\_\_\_\_

*Official stamp of the dealer*

*Signature of dealer/manufacturer*

*Signature of the client*

\_\_\_\_\_

\_\_\_\_\_

*Signing this form the client confirms that have read, understood and accepted all the terms and the conditions of the warranty. The communicated data, will be recorded on a secured paper and/or electronic file, will be used by Vittorazi Motors®, in compliance with the principles of protection of privacy established by Legislative Decree 196 dated June 30<sup>th</sup> 2003 and other applicable current legislation.*

## **12.0    Contacts**

For any questions, claims, doubts or problems with the operation of the motor, do not hesitate to contact us. We will always be ready to help you.



**Registered  
Office and  
headquarter:**        via Marche, 1/3/5 –  
62010 Morrovalle (MC) – Italia

**Tel/Fax:**                +39 0733 866585

**e-mail:**                 info@vittorazi.com

**Skype:**                 vittorazi.motors

**Website:**               www.vittorazi.com